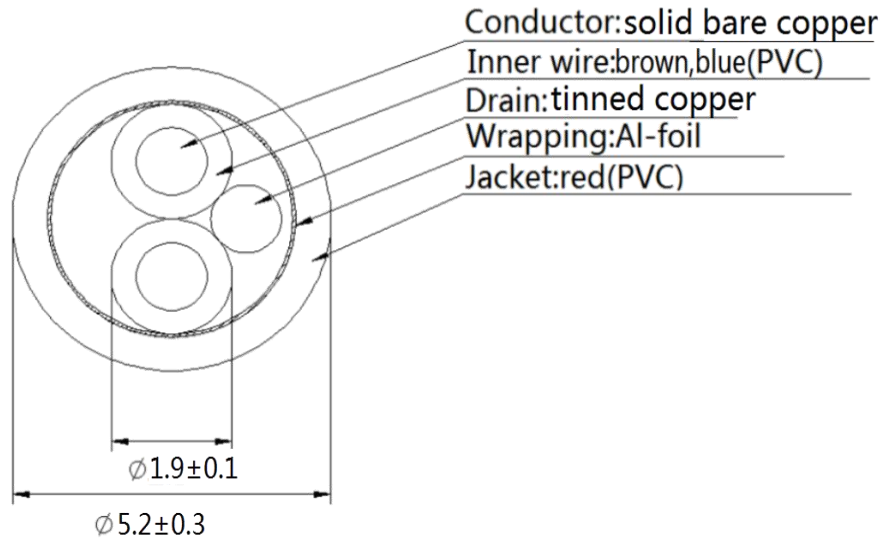


Specification

Section drawing:



Printing content: Fire Alarm Cable 105°C 2C/18AWG LLT

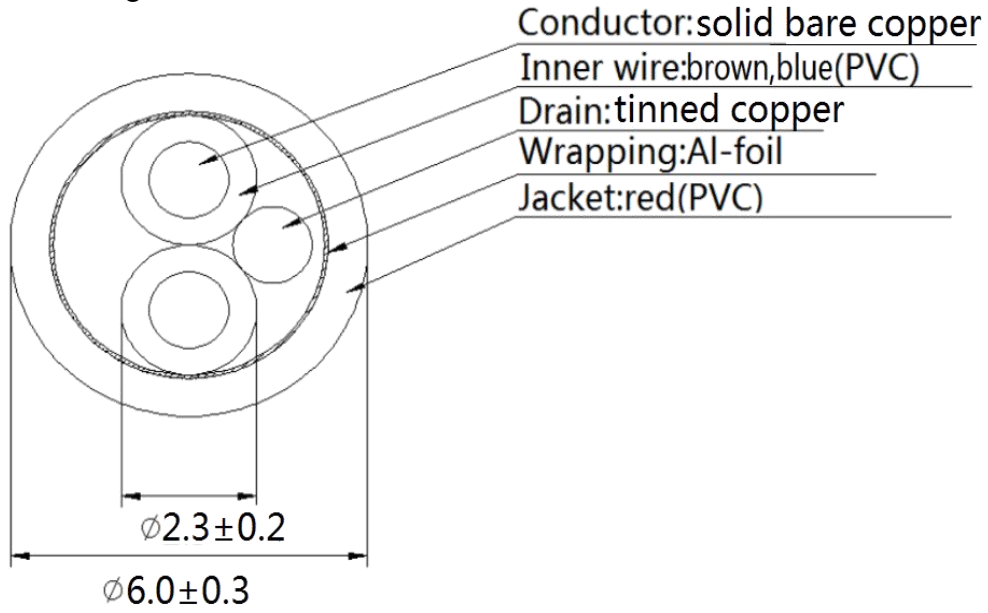
Black word!

Model	2×18AWG (1MM)
Conductor	1/1.02 solid bare copper
Max conductor resistantΩ/KM (20℃)	21.4
Insulation thickness	0.38 mm
Min insulation thickness	0.33 mm
Inner wire	brown, blue (flame retardant PVC)
Wire numbers	2 core
Drain wire	0.4mm tinned copper
Wrapping	Al-foil
Jacket	red (flame retardant PVC)
OD	5.2±0.3 mm
Jacket thickness	0.58 mm
Min jacket thickness	0.46 mm
Rated temperature	105℃
Rated voltage	300V
Fame retardant rating	VW-1
Application	fire alarm systems

Confirm by customer	
---------------------	--

Specification

Section drawing:



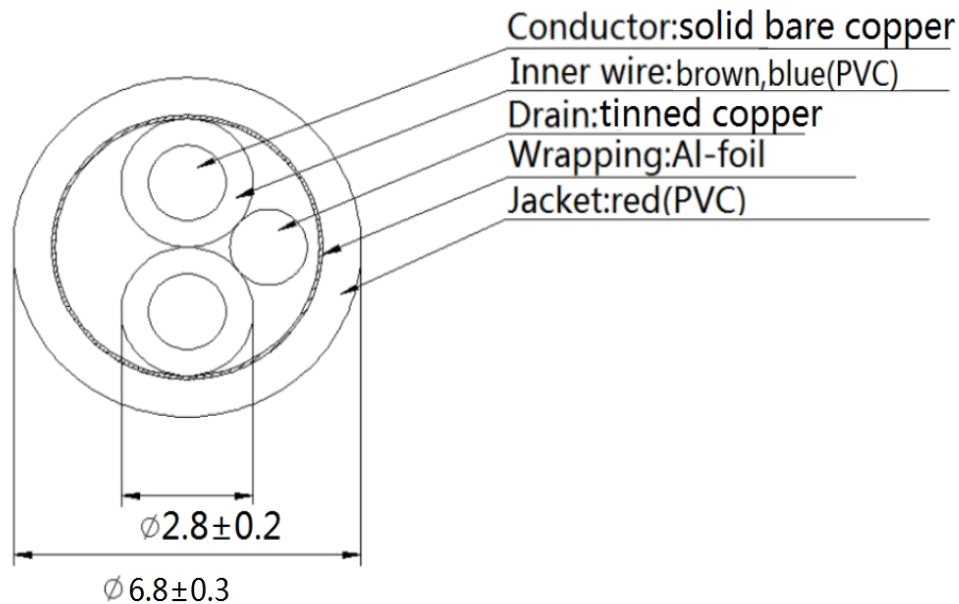
Printing content: Fire Alarm Cable FPLR 105°C 2C/16AWG LLT

Black word !

Model	2×16AWG (1.5MM)
Conductor	1/1.29 solid bare copper
Max conductor resistantΩ/KM (20℃)	13.5
Insulation thickness	0.44 mm
Min insulation thickness	0.39 mm
Inner wire	brown,blue(flame retardant PVC)
Wire numbers	2 core
Drain wire	0.4mm tinned copper
Wrapping	Al-foil
Jacket	red (flame retardant PVC)
OD	6.0±0.3 mm
Jacket thickness	0.64 mm
Min jacket thickness	0.52 mm
Rated temperature	105℃
Rated voltage	300V
Fame retardant rating	VW-1
Application	fire alarm systems

Specification

Section drawing:



Printing content: Fire Alarm Cable FPLR 105°C 2C/14AWG LLT

Black word!

Model	2×14AWG (2.5MM)
Conductor	1/1.63 solid bare copper
Max conductor resistantΩ/KM (20℃)	8.45
Insulation thickness	0.51 mm
Min insulation thickness	0.46 mm
Inner wire	brown,blue(flame retardant PVC)
Wire numbers	2 core
Drain wire	0.4mm tinned copper
Wrapping	Al-foil
Jacket	red(flame retardant PVC)
OD	6.8±0.3mm
Jacket thickness	0.74mm
Min jacket thickness	0.62mm
Rated temperature	105℃
Rated voltage	300V
Fame retardant rating	VW-1
Application	fire alarm systems